



➤ **Hydraulic Bolt Tensioner**

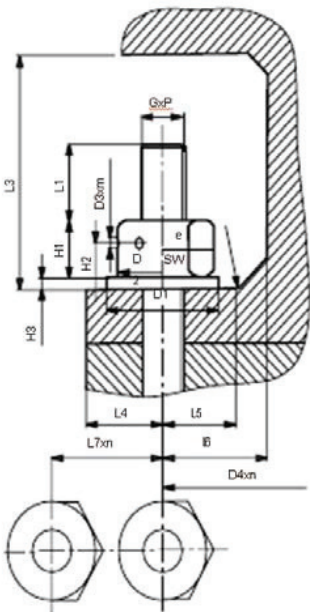


- Common hydraulic bolt tensioner;
- Interchangeable hydraulic bolt tensioner;
- Single-stage automatic return hydraulic bolt tensioner;
- Multistage automatic return hydraulic bolt tensioner.

All our bolt tensioners are customized as per the specific work conditions. Pls provide the details by filling the form below.



Technical Data
Please quote SI unit
For different installation positions, please attach a sketch or cut-away drawing
If also to be used with threads of different dimensions, fill in separate sheets.



Screw	Locking thread x pitch	G1*P1	
	Tensioning thread x pitch	G2*P2	
	Stud length	L1	
	Tension thread length	L2	
	Trunnion length	L3	
	Shaft diameter	D1	
	Stud material		
Nut	Width across corners	E	
	Wrench size	SW	
	Nut diameter	D3	
	Nut height	H1	
	Height of setting rod	H2	
	Diameter of setting rod	D2	
Washer	Number of setting rod holes	m	
	Inner washer diameter	D4	
	Out washer diameter	D5	
Installation position	Washer thickness	H3	
	Thread overhang over Nut	L4	
	Installation height limit	L5	
	Flange radius	4	
	Distance from flange rim	A1	
	Distance to inner flange rim	A3	
	Distance to radius	A1	
	Diameter of bolt circle	LK	
	Number of screws	n	
	Minimum hole separation	LA	
	Max. permissible surface of flange material	P	
	Possible thread details, e.g. standard and tolerance class		