

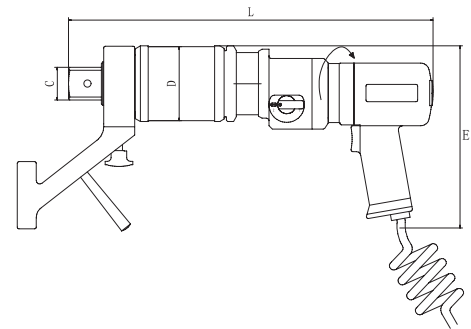


## ➤ Pneumatic Torque Wrench-Vertical Type

- 6 Bar compressed air, air consumption under max. power : 600L/min;
- Powerful and low noise, less than 80Dba under max. power;
- Set and control torque by adjusting the pressure on air register;
- Accuracy:  $\pm 5\%$ , repeatability:  $\pm 1\%$ ;
- Optional digital air register, torque precision:  $\pm 3\%$ , repeatability:  $\pm 1\%$ ;
- Compact planet design, small size, higher torque/weight ratio;
- 4-way type of power control system, large-span torque;
- 7-vane type high performance air motor, high efficiency, no impact torque can be continually output;
- Design of reverse pressure-bias motor provide the max. power and torque in reversing mode, satisfying the request of higher torque when loosening bolts;
- Positive/reverse button by single hand, switch valve of TOUCH type;
- Excellent performance of continuous running can meet high workload.



As the reverse torque of pneumatic wrench is much higher, **30%** reserved torque is enough.



Art.No	Forward Torque (Nm)	Square C (mm)	L (mm)	E (mm)	D (mm)	Non-load Speed (rpm)	Weight (kg)
DXP-14V	200-1400	1"	370	186	88	22	6.7
DXP-29V	410-2900	1"	390	186	88	9	7.3
DXP-40V	560-4000	1-1/2"	410	186	96	7	9.2
DXP-62V	870-6200	1-1/2"	445	186	114	5	11.4
DXP-120V	1880-12000	1-1/2"	484	186	129	2	17.4

\*Above weight does not include reaction arm. Non-load speed is the speed at gear 2 without load.



## ➤ Pneumatic Torque Wrench-Angled Type

- 6 Bar compressed air, air consumption under max. power : 600L/min;
- Angled type is more suitable for limited working space;
- Low noise motor , the noise is much lower;
- Torque precision:  $\pm 5\%$ , repeatability:  $\pm 1\%$  ;
- Optional digital air register, torque precision:  $\pm 3\%$ , repeatability:  $\pm 1\%$ ;
- Shift high/low speed mechanically , greatly promote working efficiency;
- Reaction arm of high strength ,anti-easily-broken, adjustable by 360-degree;
- Equipped with brake & cutoff system to protect the operator;
- New ergonomics-design handle, which is freely connected with drive Units and can be rotated, improves operation convenience and comfort.



As the reverse torque of pneumatic wrench is much higher ,**30%** reserved torque is enough.



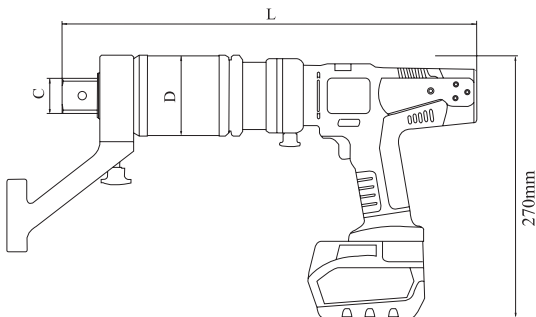
Art.No	Forward Torque (Nm)	Square C	L ( mm )	E ( mm )	D ( mm )	H (mm)	Non-load Speed ( rpm )	Weight ( kg )
DXP-14A	200-1400	1"	259	186	88	253	22	7.9
DXP-29A	410-2900	1"	259	186	88	274	9	8.7
DXP-40A	560-4000	1-1/2"	259	186	96	294	7	10.4
DXP-62A	870-6200	1-1/2"	259	186	114	329	5	12.3
DXP-120A	1880-12000	1-1/2"	259	186	129	378	2	18.6

\*Above weight does not include reaction arm. Non-load speed is the speed at gear 2 without load.



## ➤ Rechargeable Digital Torque Wrench

- Ultra-powerful battery is 2 times of common battery;
- Chargeable design makes operation more convenient;
- Digital setting display control function;
- Tightening/loosening repeatability is less than 3%;
- Quick charge function, charging time less than 60 minutes;
- Equipped with latest digital torque control system to ensure the accuracy of setted torque;
- ABS strong case, easy to transport and store;
- Standard set includes two pcs of 28V super-powerful Li battery.



Art.No	Torque Range (Nm)	Square C	L ( mm )	E ( mm )	D ( mm )	Non-load Speed ( rpm )	Weight ( kg )
DXEC-70	100-700	3/4"	376	270	88	18	7.1
DXEC-100	200-1000	1"	383	270	88	13	7.2
DXEC-120	200-1200	1"	383	270	88	11	7.2
DXEC-250	300-2500	1"	430	270	88	5	9.0
DXEC-320	400-3200	1"	430	270	88	4	9.0
DXEC-400	500-4000	1-1/2"	440	270	88	3	9.6

\*Above weight does not include reaction arm. Non-load speed is the speed at gear 2 without load.